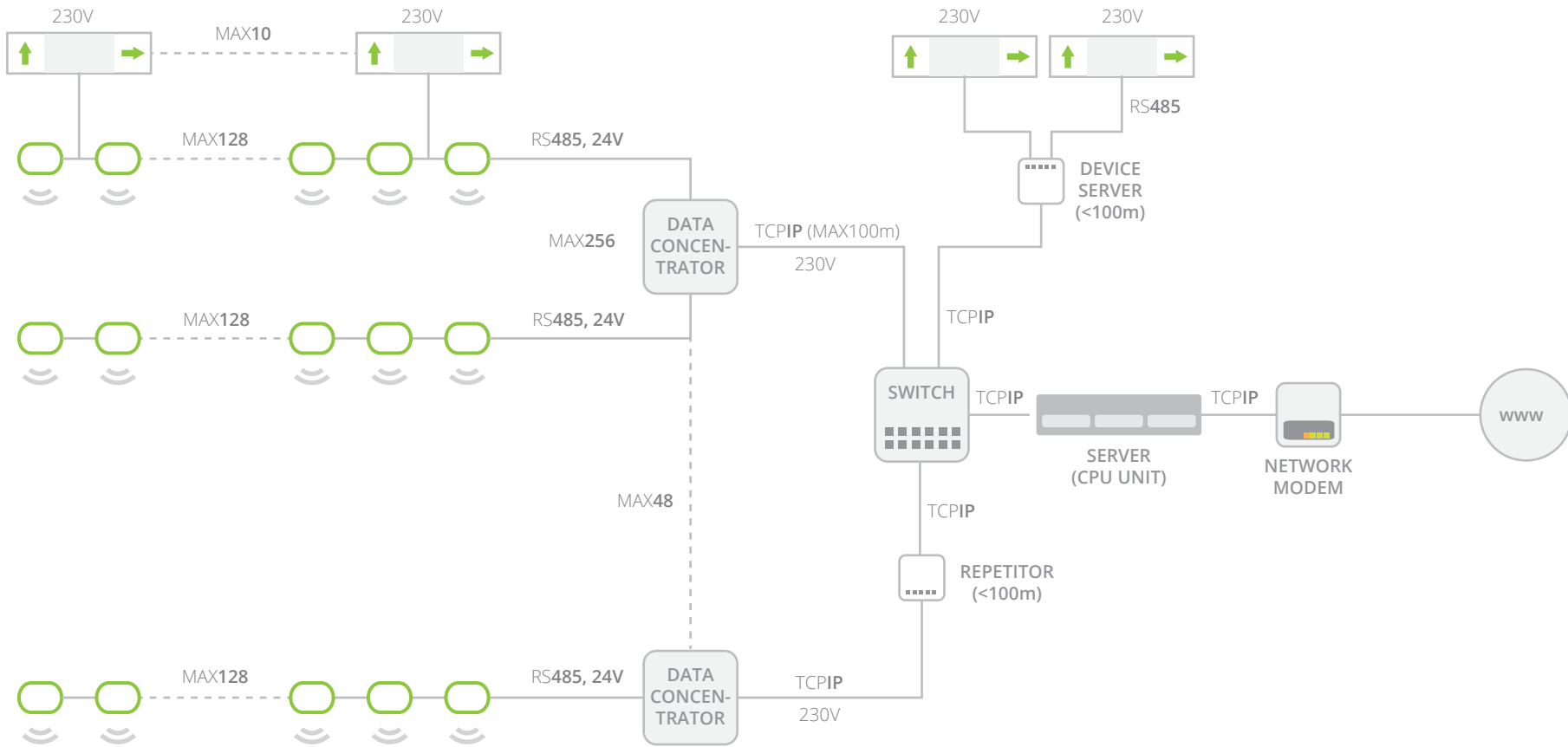


V PARK SYSTEM OVERVIEW



ULTSENSORS

Communication: RS485 (2 pair wire)
Power: 24 V, max 35mA
Max. devices per bus: 128
Max. bus length (RS485): ~500m

DATA CONCENTRATOR

Com. IN: TCP IP ethernet
Com. OUT: RS485 (2 Pair wire)
Max. output buses: 2
Max. devices (sensors) per bus: 128

Max. devices (sensors) overall: 256
Max. data concentrators: 48
AC input: 100 – 240V AC/5A; 50/60 Hz
DC output: 24V; 13A

LED DISPLAY

Communication: RS485 (2 Pair wire)
Max. devices (displays) per bus: 10
Max. bus length (RS485): ~500m
Max. distance (TCP/IP): device server needed
AC input: 240V AC/5A; 50/60 Hz; max 27W
DC output: 24V; 1,1A